

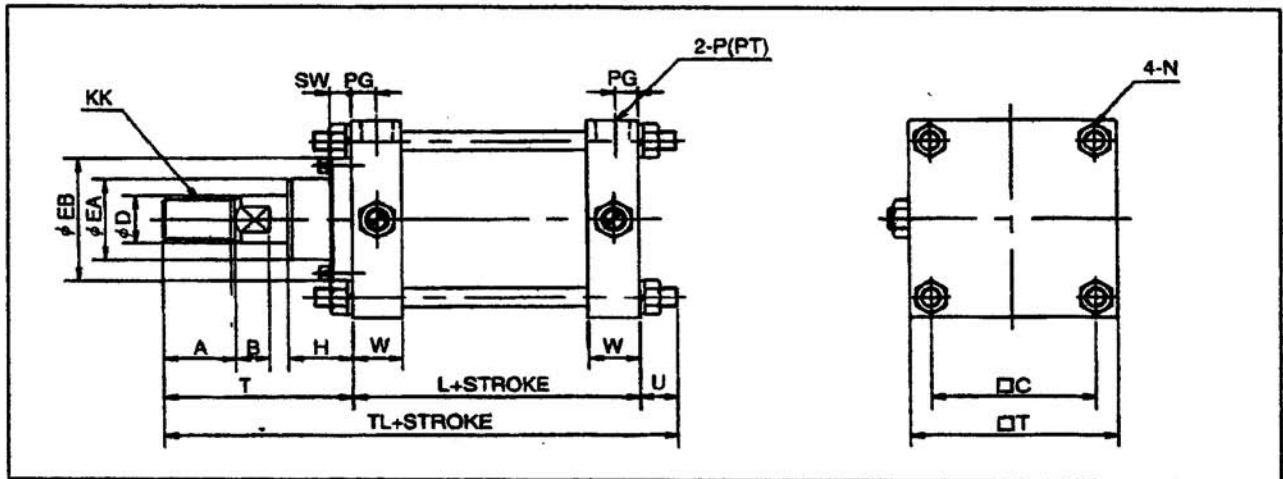
TAN AIR PNEUMATICS

DIMENSIONS

SERIES TPCS1

DOUBLE ACTING

TYPE B (NO MOUNTS)



Bore (mm)	A	B	$\square C$	ϕD	ϕEA	ϕEB	H	KK	L	N	PG	P(PT)	SW
125	50	15	115	35	59	90	43	M30x1.5	98	M14x1.5	16.0	$\frac{1}{2}$	14
150	56	17	132	40	59	90	43	M36x1.5	106	M16x1.5	18.5	$\frac{3}{4}$	14
160	56	17	144	40	59	90	43	M36x1.5	106	M16x1.5	18.5	$\frac{3}{4}$	14
200	63	20	182	50	74	115	48	M45x1.5	111	M20x1.5	18.5	$\frac{3}{4}$	17
250	71	25	225	60	96	140	60	M56x2.0	141	M24x1.5	23.0	1	20
300	80	30	270	70	96	140	60	M64x2.0	146	M30x1.5	23.0	1	20

Bore (mm)	$\square T$	T	TL	U	W
125	145	110	235.0	27.0	35
150	170	120	256.5	30.5	39
160	184	120	256.5	30.5	39
200	226	135	281.0	35.0	39
250	277	160	342.5	41.5	49
300	330	175	372.5	51.5	49

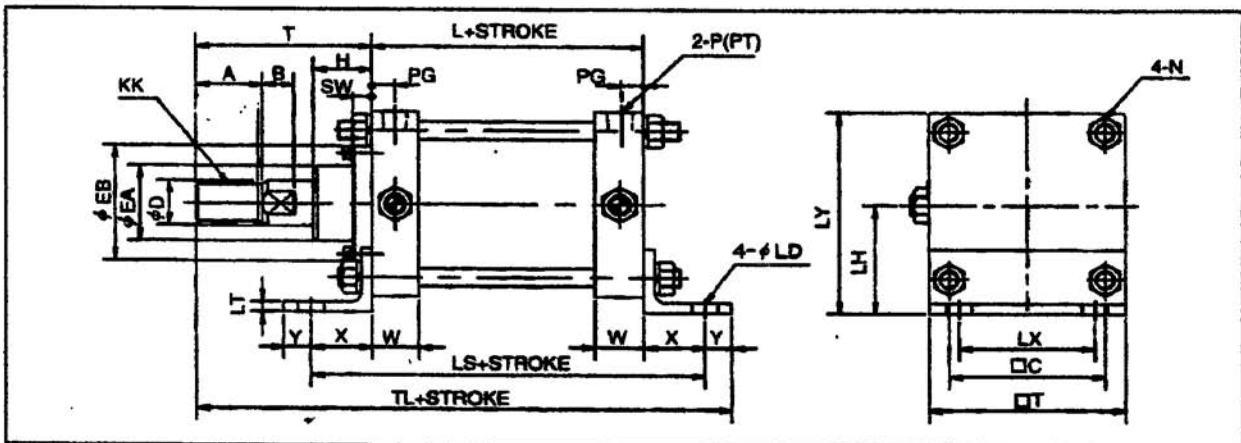
TAN AIR PNEUMATICS

DIMENSIONS

SERIES TPCS1

DOUBLE ACTING

TYPE L (FOOT MOUNT)



Bore (mm)	A	B	□ C	∅D	∅EA	∅EB	H	KK	L	∅LD	LH	LS	LT	LX	LY
125	50	15	115	35	59	90	43	M30x1.5	98	19	85	188	8	100	157.5
150	56	17	132	40	59	90	43	M36x1.5	106	19	105	206	9	118	190.0
160	56	17	144	40	59	90	43	M36x1.5	106	19	106	206	9	118	197.0
200	63	20	182	50	74	115	48	M45x1.5	111	24	132	231	10	150	245.0
250	71	25	225	60	96	140	60	M56x2.0	141	29	160	301	12	180	298.5
300	80	30	270	70	96	140	60	M64x2.0	146	33	200	326	15	212	365.0

Bore (mm)	□ T	T	TL	W	X	Y	SW	N	PG	P(PT)
125	145	110	273	35	45	20	14	M14x1.5	16.0	½
150	170	120	301	39	50	25	14	M16x1.5	18.5	¾
160	184	120	301	39	50	25	14	M16x1.5	18.5	¾
200	226	135	336	39	60	30	17	M20x1.5	18.5	¾
250	277	160	421	49	80	40	20	M24x1.5	23.0	1
300	330	175	451	49	90	40	20	M30x1.5	23.0	1

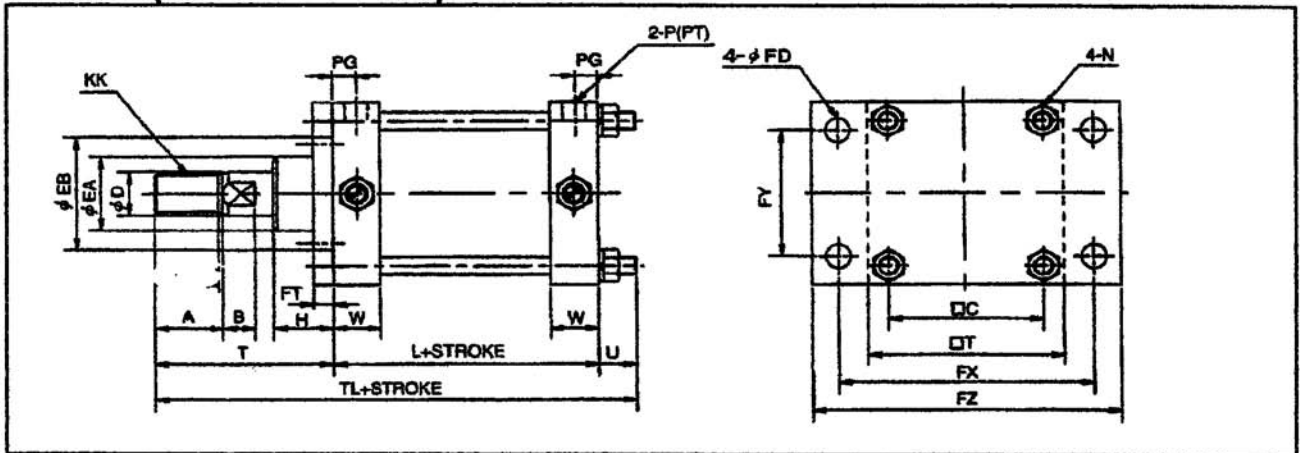
TANAIR PNEUMATICS

DIMENSIONS

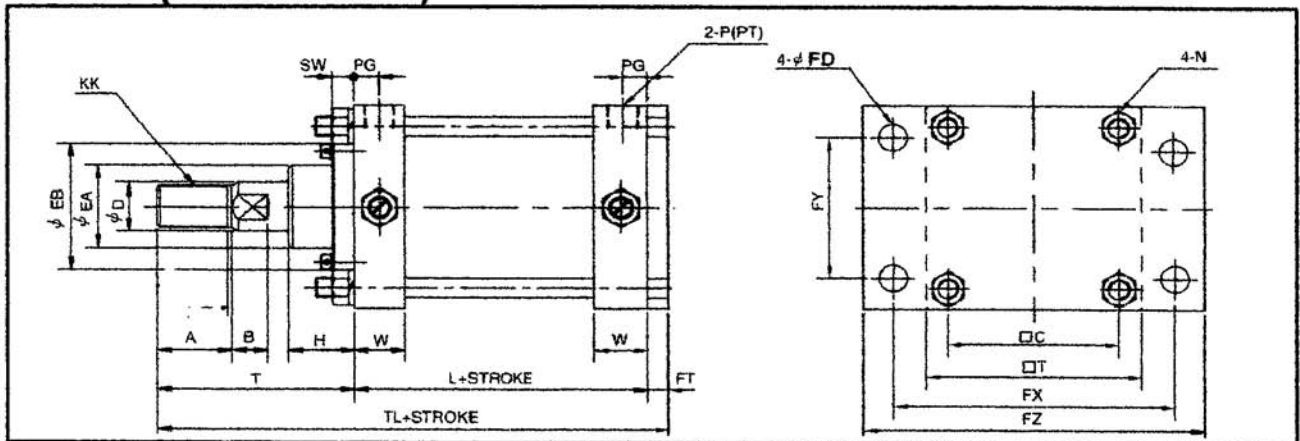
SERIES TPCS1

DOUBLE ACTING

TYPE F (FRONT FLANGE)



TYPE G (REAR FLANGE)



Bore (mm)	A	B	□ C	øD	øEA	øEB	H	KK	L	øFD	FT	FX	FY	FZ
125	50	15	115	35	59	90	43	M30x1.5	98	19	14	190	100	230
150	56	17	132	40	59	90	43	M36x1.5	106	19	20	228	115	265
160	56	17	144	40	59	90	43	M36x1.5	106	19	20	236	118	275
200	63	20	182	50	74	115	48	M45x1.5	111	24	25	280	150	335
250	71	25	225	60	96	140	60	M56x2.0	141	29	30	355	180	420
300	80	30	270	70	96	140	60	M64x2.0	146	33	30	400	212	475

Bore (mm)	□ T	T	W	PG	P(PT)	SW	N
125	145	110	35	16.0	½	14	M14x1.5
150	170	120	39	18.5	¾	14	M16x1.5
160	184	120	39	18.5	¾	14	M16x1.5
200	226	135	39	18.5	¾	17	M20x1.5
250	277	160	49	23.0	1	20	M24x1.5
300	330	175	49	23.0	1	20	M30x1.5

FRONT FLANGE

U	TL
24	232
26	252
26	252
31	277
35	336
48	369

REAR FLANGE

TL
222
246
246
271
331
351

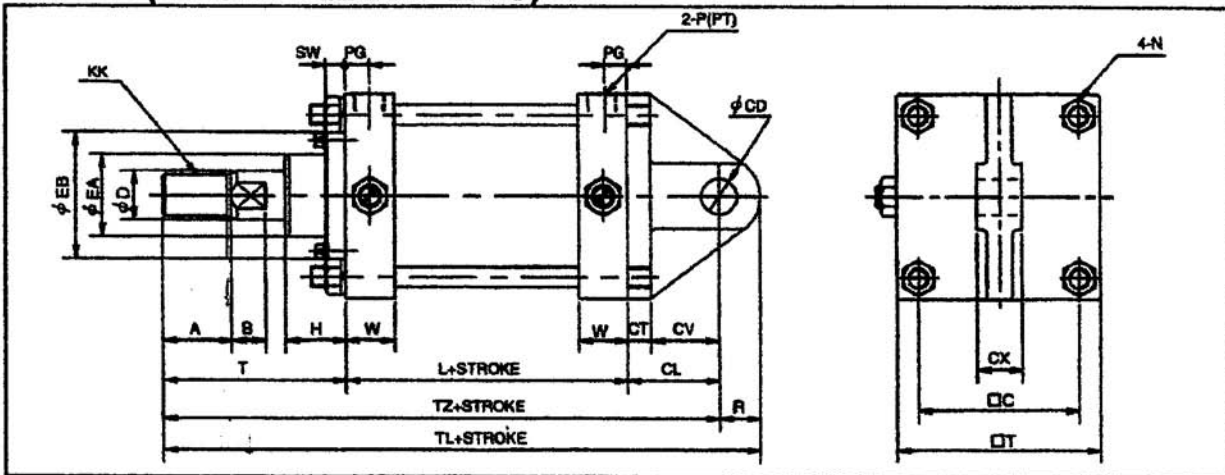
TAN AIR PNEUMATICS

DIMENSIONS

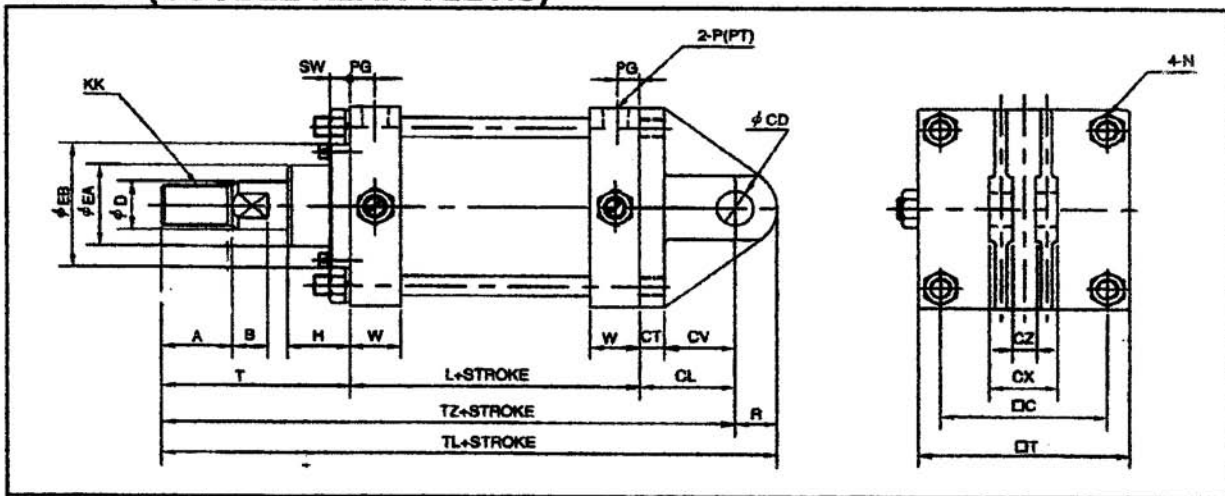
SERIES TPCS1

DOUBLE ACTING

TYPE C (SINGLE REAR CLEVIS)



TYPE D (DOUBLE REAR CLEVIS)



Bore (mm)	A	B	□ C	∅D	∅EA	∅EB	H	KK	L	∅CD	CL	CT	CV
125	50	15	115	35	59	90	43	M30x1.5	98	25	65	17	48
150	56	17	132	40	59	90	43	M36x1.5	106	32	80	20	60
160	56	17	144	40	59	90	43	M36x1.5	106	32	80	20	60
200	63	20	182	50	74	115	48	M45x1.5	111	40	90	25	65
250	71	25	225	60	96	140	60	M56x2.0	141	50	110	30	80
300	80	30	270	70	96	140	60	M64x2.0	146	63	130	37	93

Bore (mm)	□ T	T	TL	TZ	W	PG	P(PT)	N	SW	R
125	145	110	302	273	35	16.0	½	M14x1.5	14	29
150	170	120	342	306	39	18.5	¾	M16x1.5	14	36
160	184	120	342	306	39	18.5	¾	M16x1.5	14	36
200	226	135	380	336	39	18.5	¾	M20x1.5	17	44
250	277	160	466	411	49	23.0	1	M24x1.5	20	55
300	330	175	519	451	49	23.0	1	M30x1.5	20	68

SGLE CLEVIS		DBLE CLEVIS	
CX		CX	CZ
32		64	32
40		80	40
40		80	40
50		100	50
63		126	63
80		160	80

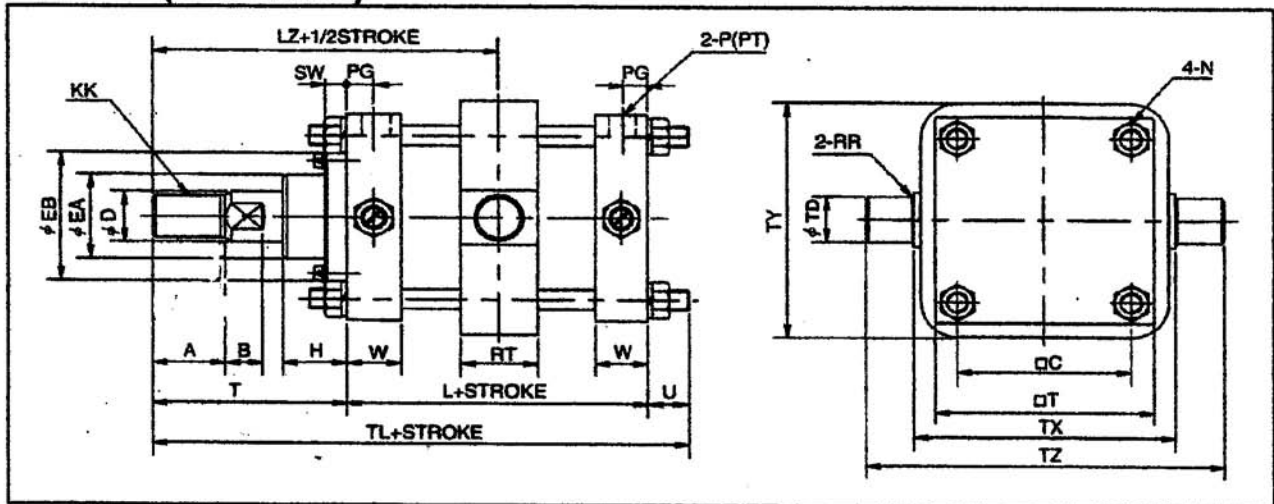
TAN AIR PNEUMATICS

DIMENSIONS

SERIES TPCS1

DOUBLE ACTING

TYPE T (TRUNNION)



Bore (mm)	A	B	□ C	øD	øEA	øEB	H	KK	L	LZ	N	PG	P(PT)	RR
125	50	15	115	35	59	90	43	M30x1.5	98	159.0	M14x1.5	16.0	½	1.0
150	56	17	132	40	59	90	43	M36x1.5	106	173.0	M16x1.5	18.5	¾	1.5
160	56	17	144	40	59	90	43	M36x1.5	106	173.0	M16x1.5	18.5	¾	1.5
200	63	20	182	50	74	115	48	M45x1.5	111	190.5	M20x1.5	18.5	¾	2.0
250	71	25	225	60	96	140	60	M56x2.0	141	230.5	M24x1.5	23.0	1	2.0
300	80	30	270	70	96	140	60	M64x2.0	146	248.0	M30x1.5	23.0	1	2.0

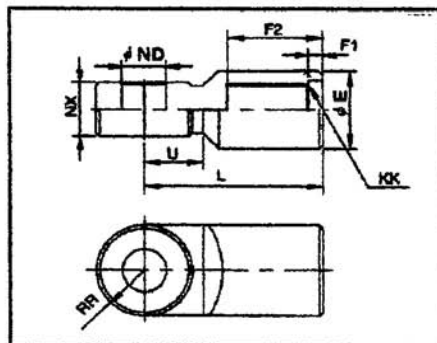
Bore (mm)	RT	□ T	T	TL	TX	TY	TZ	øTD	U	W	SW
125	50	145	110	227.0	170	164	234	32 -0.05	19.0	35	14
150	59	170	120	248.0	200	192	275	40 -0.05	22.0	39	14
160	59	184	120	248.0	212	204	292	40 -0.05	22.0	39	14
200	60	226	135	272.5	265	257	355	45 -0.05	26.5	39	17
250	69	277	160	331.5	335	325	447	56 -0.06	30.5	49	20
300	79	330	175	357.0	400	390	534	67 -0.06	36.0	49	20

TANAIR PNEUMATICS

DIMENSIONS

SERIES TPCS1

TYPE I (SINGLE ROD CLEVIS)

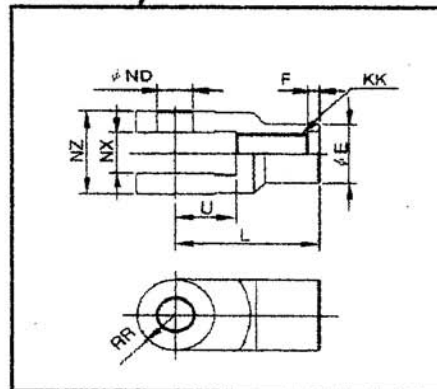


TPCI

Bore Size

Bore(mm)	øE	F ¹	F ²	KK	L	øND	NX	RR	U
125	46	8	54.0	M30x1.5	100	25 +0.0	32 -0.1	27.0	33
150,160	55	8	60.0	M36x1.5	110	32 +0.1	40 -0.1	34.0	39
200	70	8	67.0	M45x1.5	125	40 +0.1	50 -0.1	42.5	44
250	86	9	75.5	M56x2.0	160	50 +0.1	63 -0.1	53.0	66
300	105	9	84.5	M64x2.0	175	63 +0.1	80 -0.1	66.0	71

TYPE Y (DOUBLE ROD CLEVIS)



TPCY

Bore Size

Bore (mm)	øE	F	L	KK	øND	NX	NZ	RR	U
125	46	8	100	M30x1.5	25 +0.08	32 +0.1	64 -0.1	27.0	42
150,160	55	8	110	M36x1.5	32 +0.10	40 +0.1	80 -0.1	34.0	46
200	70	8	125	M45x1.5	40 +0.10	50 +0.1	100 -0.1	42.5	54
250	86	9	160	M56x2.0	50 +0.10	63 +0.1	126 -0.1	53.0	81
300	105	9	175	M64x2.0	63 +0.12	80 +0.1	160 -0.1	66.0	87

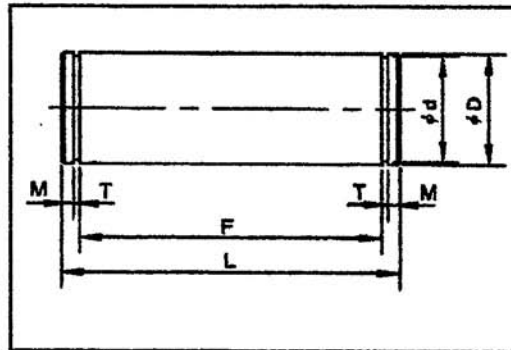
TANAIR PNEUMATICS

DIMENSIONS

SERIES TPCS1

ACCESSORIES

TYPE MP (MOUNTING PIN)



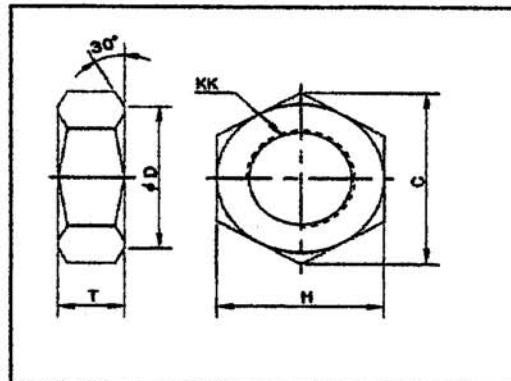
TPCMP



Bore Size

Bore (mm)	ød	L	F	øD	M	T
125	23.5	72.0	64.3	25 -0.06	2.5	1.35
150,160	29.5	89.6	80.3	32 -0.08	3.0	1.65
200	37.0	110.1	100.3	40 -0.08	3.0	1.90
250	46.0	138.9	126.5	50 -0.08	4.0	2.20
300	59.0	172.9	160.5	63 -0.10	4.0	2.20

TYPE MN (PISTON ROD NUT)



TPCMN



Bore Size

Bore (mm)	C	øD	H	KK	T
125	53.1	44	46	M30x1.5	18
150,160	63.5	53	55	M36x1.5	21
200	80.8	67	70	M45x1.5	27
250	98.1	82	85	M56x2.0	34
300	110.0	92	95	M64x2.0	38