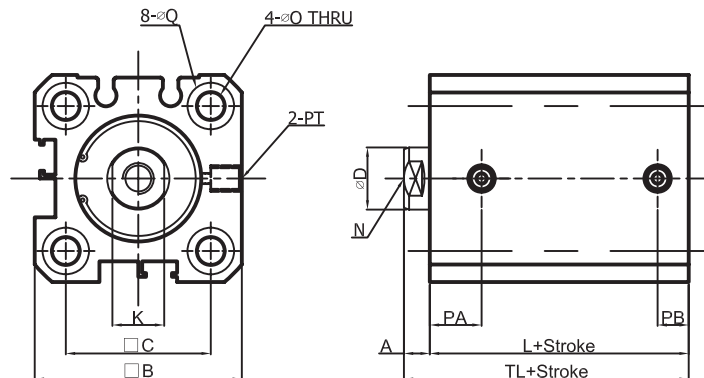


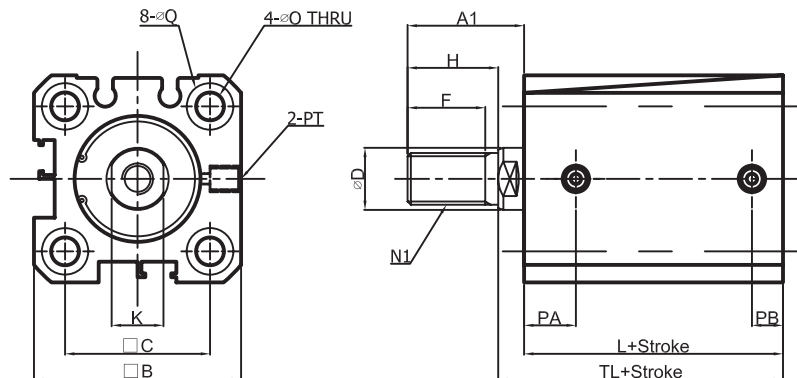
# TAN AIR

## TPCQ2(NON MAGNETIC) COMPACT CYLINDER DOUBLE ACTING TYPE

Female Screw:  $\Phi 12-\Phi 25$



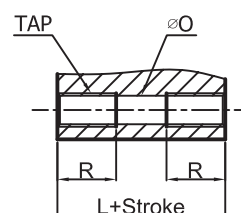
Male Screw:  $\Phi 12-\Phi 25$



| Model    | Stroke | A   | A1   | □B | □C   | $\Phi D$ | F  | H    | K  | L    | N           | N1       | $\Phi O$ | PA   |
|----------|--------|-----|------|----|------|----------|----|------|----|------|-------------|----------|----------|------|
| TPCQ2B12 | 5~30   | 3.5 | 14   | 25 | 19.5 | 6        | 9  | 10.5 | 5  | 17   | M3×0.5 Dp6  | M5×0.8   | 3.5      | 7.5  |
| TPCQ2B16 | 5~30   | 3.5 | 15.5 | 29 | 20   | 8        | 10 | 12   | 6  | 18.5 | M4×0.7 Dp8  | M6×1.0   | 3.5      | 8    |
| TPCQ2B20 | 5~50   | 4.5 | 18.5 | 36 | 25.5 | 10       | 12 | 14   | 8  | 19.5 | M5×0.8 Dp8  | M8×1.25  | 5.5      | 10.5 |
| TPCQ2B25 | 5~50   | 5   | 22.5 | 40 | 28   | 12       | 15 | 17.5 | 10 | 22.5 | M6×1.0 Dp12 | M10×1.25 | 5.5      | 11   |

| Model    | PB  | TL   | PT     | $\Phi Q$  |
|----------|-----|------|--------|-----------|
| TPCQ2B12 | 5   | 20.5 | M5×0.8 | 6.5 Dp3.5 |
| TPCQ2B16 | 5.5 | 22   | M5×0.8 | 6.5 Dp3.5 |
| TPCQ2B20 | 6   | 24   | M5×0.8 | 9 Dp7     |
| TPCQ2B25 | 5.5 | 27.5 | M5×0.8 | 9 Dp7     |

Both End-Tap Type

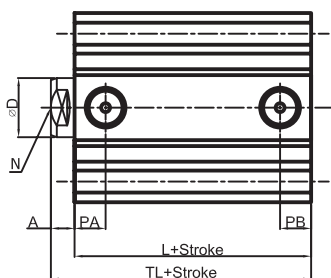
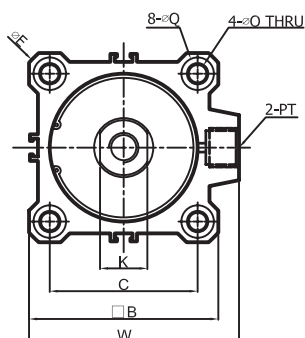


| Model    | TAP    | R  |
|----------|--------|----|
| TPCQ2B12 | M4×0.7 | 7  |
| TPCQ2B16 | M4×0.7 | 7  |
| TPCQ2B20 | M6×1.0 | 10 |
| TPCQ2B25 | M6×1.0 | 10 |

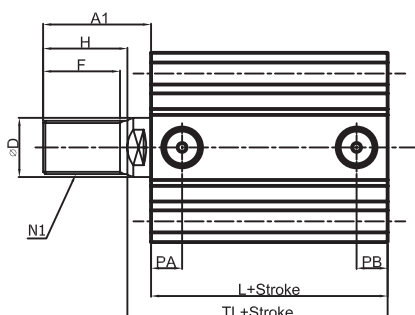
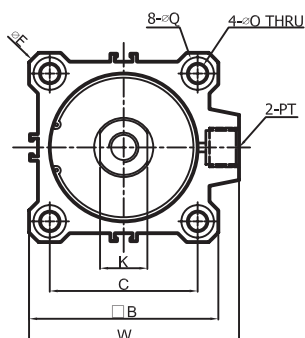
# TAN AIR

## TPCQ2(NON MAGNETIC) COMPACT CYLINDER DOUBLE ACTING TYPE

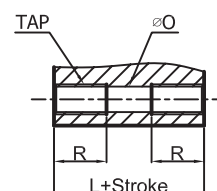
Female Screw:  $\Phi 32$ — $\Phi 100$



Male Screw:  $\Phi 32$ — $\Phi 100$



Both End-Tap Type



| Model     | TAP      | R  |
|-----------|----------|----|
| TPCQ2B32  | M6×1.0   | 10 |
| TPCQ2B40  | M6×1.0   | 10 |
| TPCQ2B50  | M8×1.25  | 14 |
| TPCQ2B63  | M10×1.5  | 18 |
| TPCQ2B80  | M12×1.75 | 22 |
| TPCQ2B100 | M12×1.75 | 22 |

| Model     | Stroke | A  | A1   | □B  | □C | ΦD | ΦE  | F    | H    | K  | L    | N            | N1      |
|-----------|--------|----|------|-----|----|----|-----|------|------|----|------|--------------|---------|
| TPCQ2B32  | 5      | 7  | 28.5 | 45  | 34 | 16 | 60  | 20.5 | 23.5 | 14 | 23   | M8×1.25 Dp13 | M14×1.5 |
|           | 10~100 |    |      |     |    |    |     |      |      |    |      |              |         |
| TPCQ2B40  | 5~100  | 7  | 28.5 | 52  | 40 | 16 | 69  | 20.5 | 23.5 | 14 | 29.5 | M8×1.25 Dp13 | M18×1.5 |
| TPCQ2B50  | 10~100 | 8  | 33.5 | 64  | 50 | 20 | 86  | 26   | 28.5 | 16 | 30.5 | M10×1.5 Dp15 | M18×1.5 |
| TPCQ2B63  | 10~100 | 8  | 33.5 | 77  | 60 | 20 | 103 | 26   | 28.5 | 16 | 36   | M10×1.5 Dp15 | M18×1.5 |
| TPCQ2B80  | 10~100 | 10 | 43.5 | 98  | 77 | 25 | 132 | 32.5 | 35.5 | 22 | 43.5 | M16×2.0 Dp21 | M22×1.5 |
| TPCQ2B100 | 10~100 | 12 | 43.5 | 117 | 94 | 30 | 156 | 32.5 | 35.5 | 27 | 53   | M20×2.5 Dp27 | M26×1.5 |

| Model     | ΦO  | PA   | PB   | TL   | PT     | ΦQ          | W     |
|-----------|-----|------|------|------|--------|-------------|-------|
| TPCQ2B32  | 5.5 | 11.5 | 5.5  | 30   | M5×0.8 | 9 Dp7       | 49.5  |
|           |     | 10.5 | 7.5  |      | PT1/8  |             |       |
| TPCQ2B40  | 5.5 | 12   | 8.5  | 36.5 | PT1/8  | 9 Dp7       | 57    |
| TPCQ2B50  | 6.8 | 10.5 | 10.5 | 38.5 | PT1/4  | 11 Dp8      | 71    |
| TPCQ2B63  | 9   | 15   | 11   | 44   | PT1/4  | 14 Dp10.5   | 84    |
| TPCQ2B80  | 11  | 18   | 12.5 | 53.5 | PT3/8  | 17.5 Dp13.5 | 104   |
| TPCQ2B100 | 11  | 23   | 13   | 65   | PT3/8  | 17.5 Dp13.5 | 123.5 |