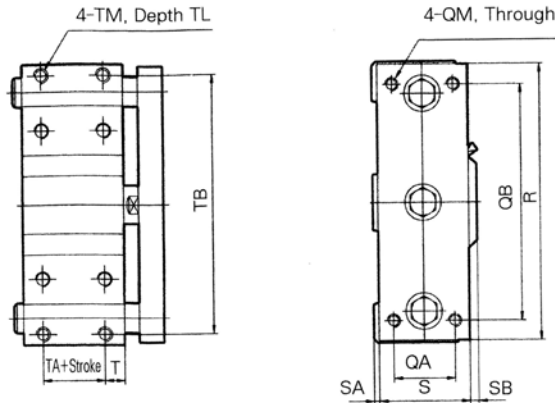


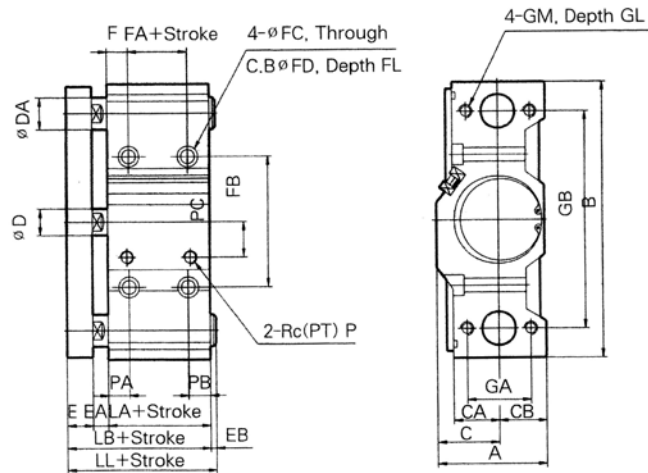
TANAIR PNEUMATICS

TPMGQ TYPE GUIDED CYLINDER

80mm—100mm BORE
TPMGQ GUIDED CYLINDER



TPMGM = BUSH TYPE
TPMGL = LINEAR BEARING TYPE



※ As to intermediate stroke, spacer will be used.

TPMGQ COMMON DIMMENSIONS

(Unit : mm)

Bore Size (mm)	Standard Stroke (mm)	A	B	C	CA	CB	D	DA		E	EA	EB						F	FA	FB	FC	FD	FL	GA	GB	GL
								GQM	GQL			TPMGQM			TPMGQL											
												25ST	50ST	75,100ST	125,150ST	25,50ST	75,100,125,150ST									
φ 80	25,50,75	96.5	204	50	38.5	46.5	25	30	25	22	18	23.3	25.3	53.3	58.3	8.5	72.5	20.5	15.5	100	11	17.5	11	56	155	30
φ 100	100,125,150	114.5	238	58	41	56.5	30	36	30	25	20	18.8	23.8	48.8	53.8	4.0	73.0	20.5	25	120	13	20	13	62	184	35

Bore Size (mm)	GM	LA	LB	LL				P	PA	PB	PC	QA	QB	QM	R	S	SA	SB	T	TA	TB	TL	TM		
				TPMGQM		TPMGQL																			
				25ST	50ST	75,100ST	125,150ST																	25,50ST	75,100,125,150ST
φ 80	M12×1.75	56.5	96.5	119.8	121.8	149.8	154.8	105	169	3/8	19	15.2	28	60	174	M12×1.75	198	80	6.5	10	20.5	15.5	182	18	M12×1.75
φ 100	M14×2	66	111	129.8	134.8	159.8	164.8	115	184	3/8	22.5	18.8	35	64	200	M14×2	231	95	9	10.5	20.5	25	211	21	M14×2