

# TANAIR

## AIR FILTER REGULATOR EYT-250

### HOW TO ORDER

EYT-250



ADJUSTABLE RANGE

A	0-4.2kgf/cm <sup>2</sup>
B	0-8.4kgf/cm <sup>2</sup>
C	0-2.1kgf/cm <sup>2</sup>



CONNECTION TYPE

P	PT1/4
N	NPT1/4



GAUGE

0	NONE
1	4kgf/cm
2	10kgf/cm



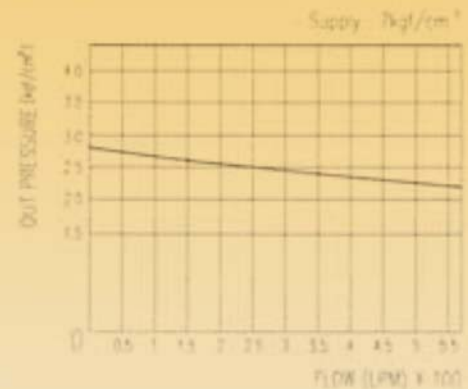
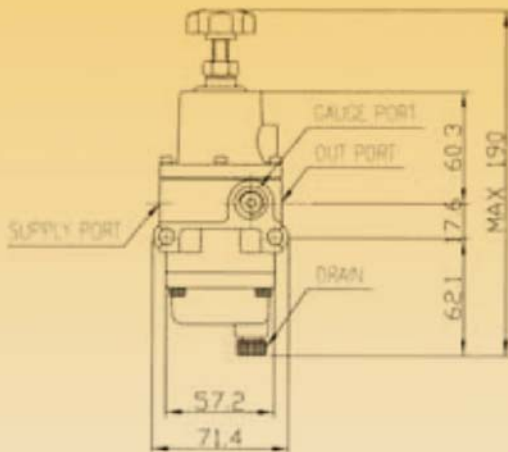
AMBIENT TEMP

1	Max. 70° C
2	MAX.100° C



MATERIAL

B	ALUMINIUM
S	316 STAINLESS STEEL



### Specifications

Item- Type	EYT-250		
	A	B	C
Max. Supply pressure	1.5MPa (23kgf/cm <sup>2</sup> )		
Max. Operating pressure	4.23kgf/cm <sup>2</sup>	8.4kgf/cm <sup>2</sup>	2.1kgf/cm <sup>2</sup>
Air Connection	PT (MPT) 1/4		
Gauge Connection	PT (MPT) 1/4		
Ambient Temp	-20°C -70°C (-4-158. F)		
Min Fiting Size	5 micron		
Material	Stainless Steel (SIS/SUS316S311)		
Weight	1.3Kg (2.5b)		

Air Filter Regulator EYT-250 is for use in offshore or corrosive environment, which is made of stainless steel.

EYT-250 maintains the stable outlet pressure regardless of the fluctuation of inputting pressure or flow rate. It is easy to install and maintain due to light weight and small size.

5 micron filter enables to filter particles.

EYT-250 has relief function which discharges to atmosphere if the outlet pressure is higher than setting pressure.

website: [www.easternpneumatics.com](http://www.easternpneumatics.com)