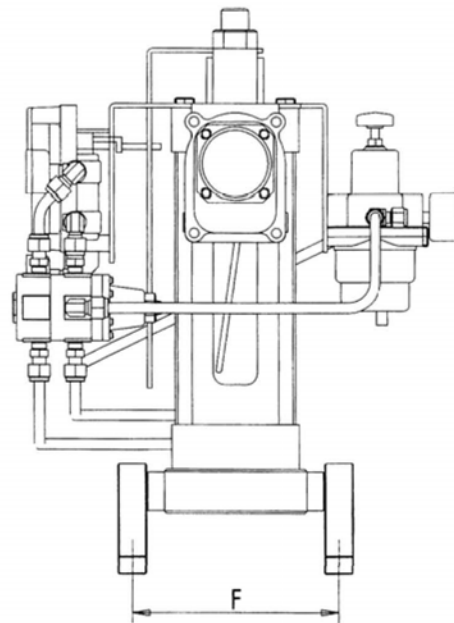
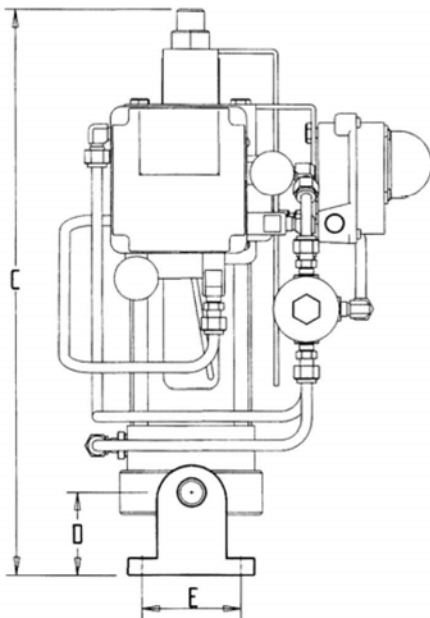
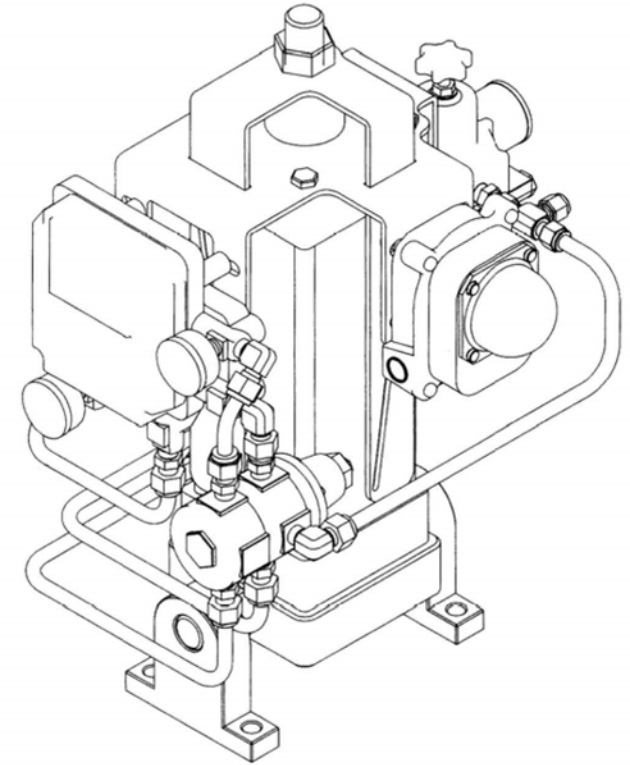
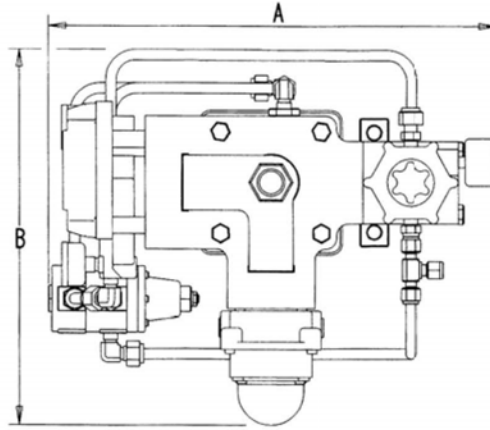


TAN AIR PNEUMATICS

EXAMPLE: TYPICAL ASSEMBLY



EPO NUMBER	DESCRIPTION	A	B	C	D	E	F
EPO600	TPCA2TN100-200SP (23-HV-113)	410	340	511	75	90	188
EPO601	TPCA2TN100-300SP (23-FV-104)	410	340	611	75	90	188
EPO602	TPCAITN160-400SP (23-PV-110)	478	405	817	80	150	260

COMPANY		TITLE	
EASTERN PNEUMATICS		Cylinder Assembly	
Email: sales@easternpneumatics.com		FILE NAME	
Web: easternpneumatics.com		Assembly_Rio_Tinto	
DRAWN		DWG. NO.	
NAME	DATE	0015EPO	
Steve C.	07/03/07	CHECKED	
		NAME	DATE
		Craig M.	08/03/07